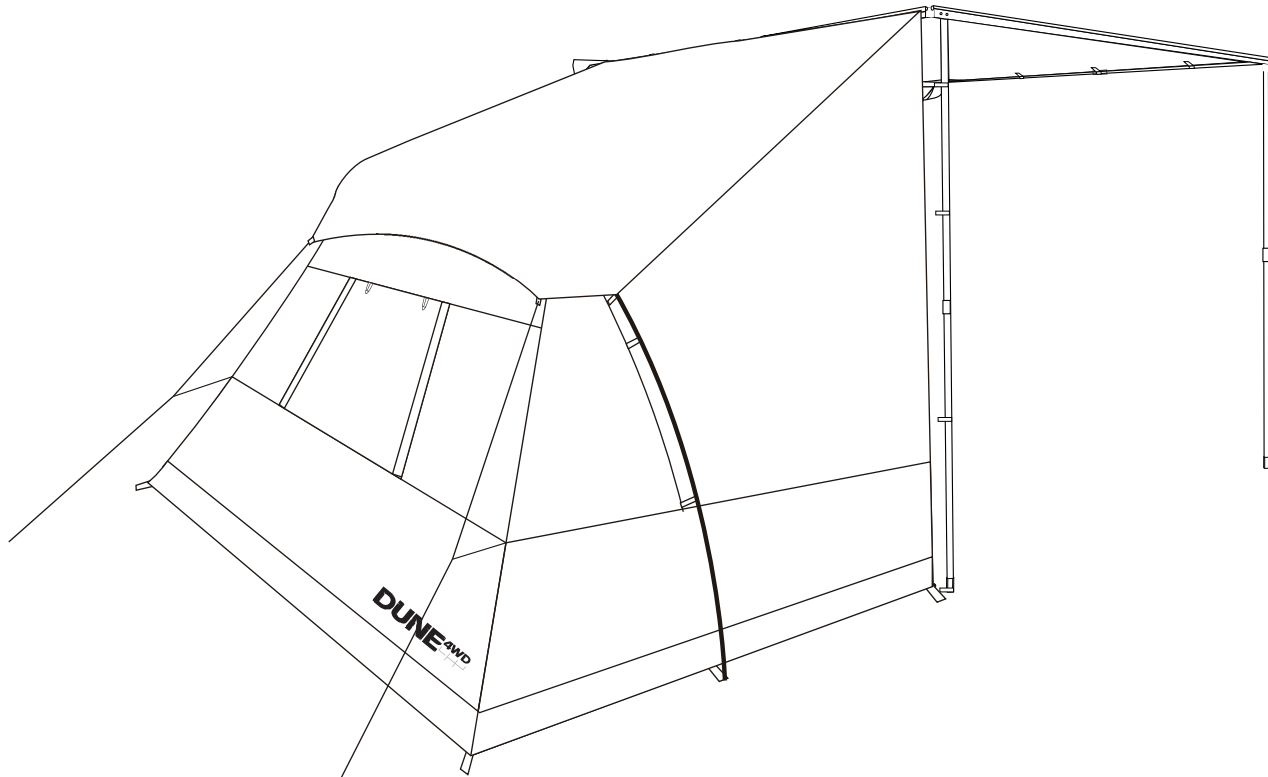


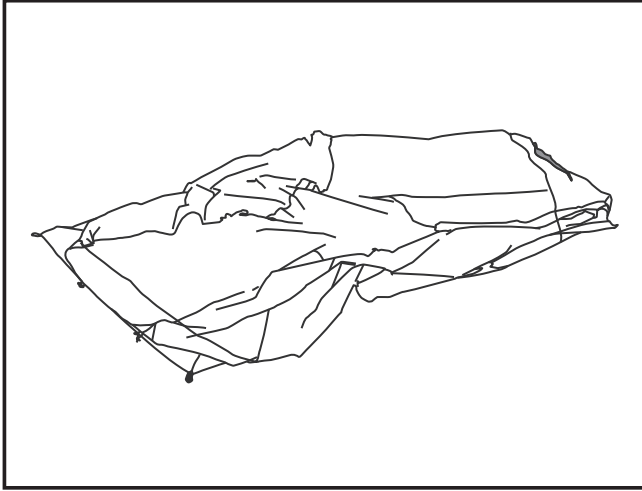
DUNE^{4WD}



Important:

- Please read these instructions carefully prior to assembly.
- Check the contents before assembly.
- Make sure tent is fully secured with pegs and guy ropes provided to prevent damage or injury.

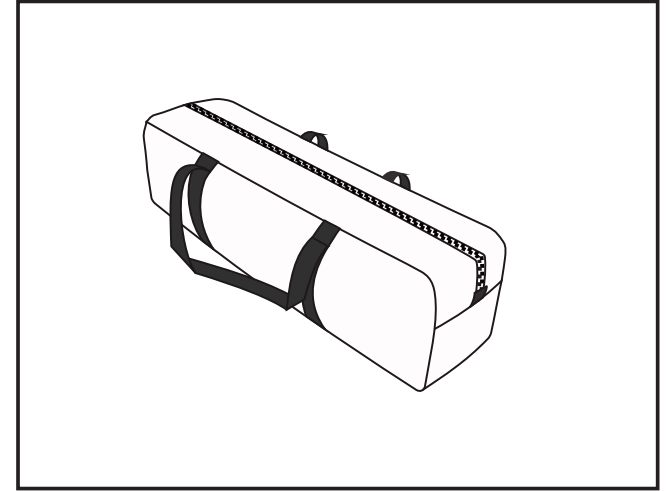
PART LIST



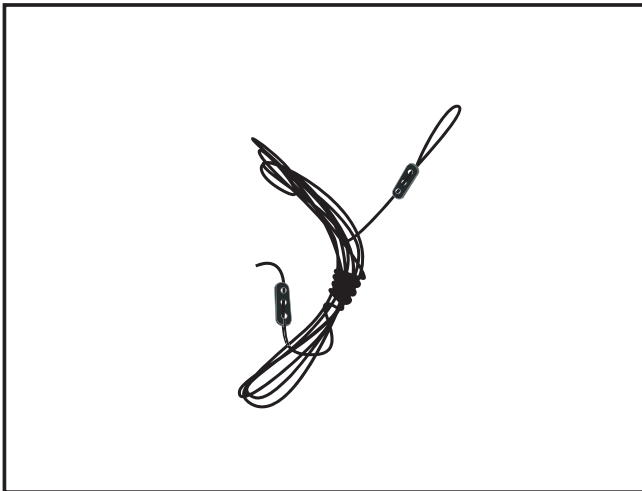
Tent body



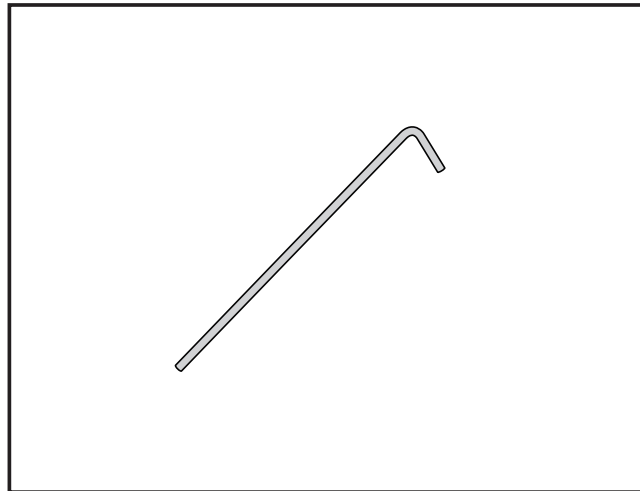
Steel pole x 2 + fiberglass pole x 1



Carrybag



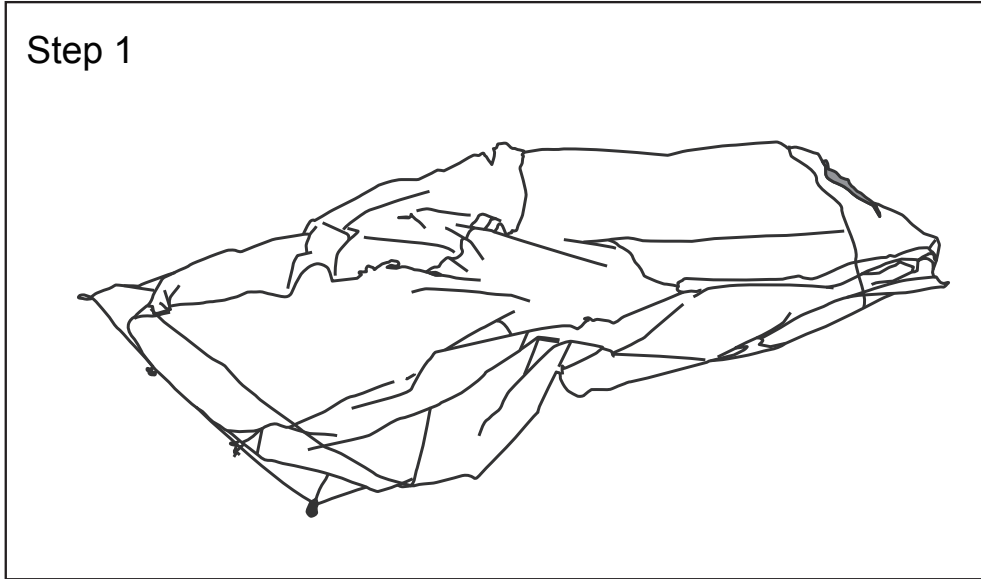
Guy ropes



Pegs x 9pcs

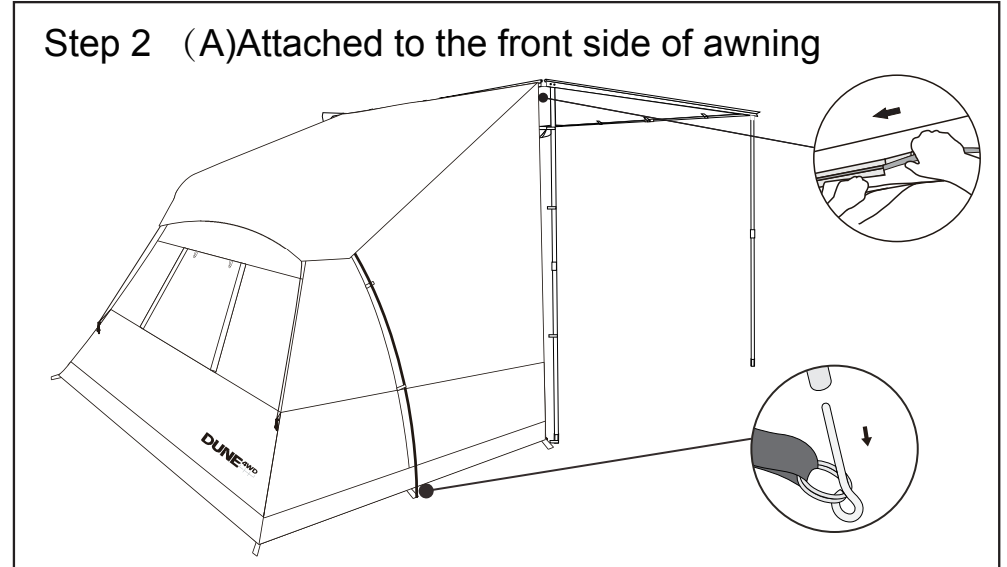
ASSEMBLY INSTRUCTION

Step 1



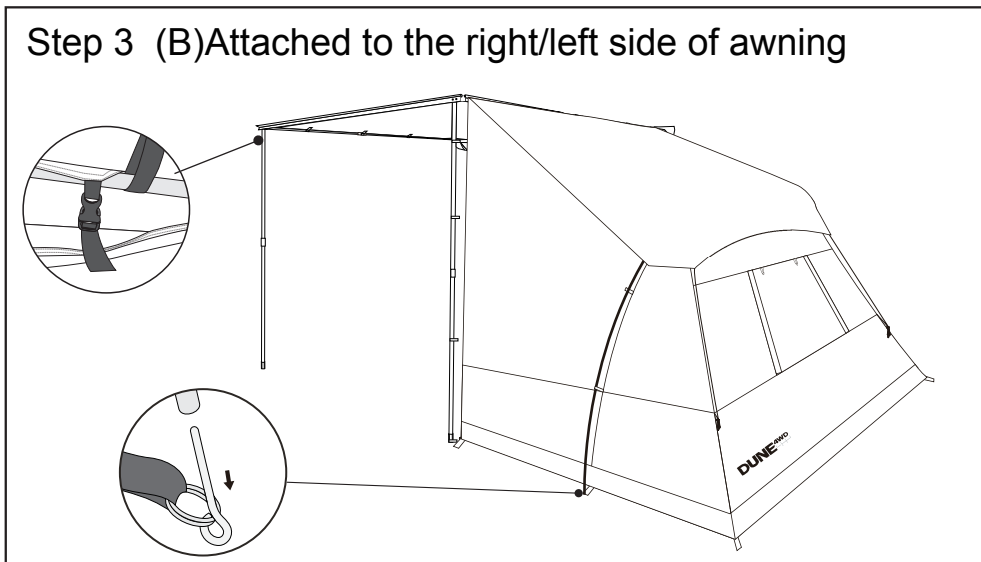
Unfold the tent.

Step 2 (A) Attached to the front side of awning



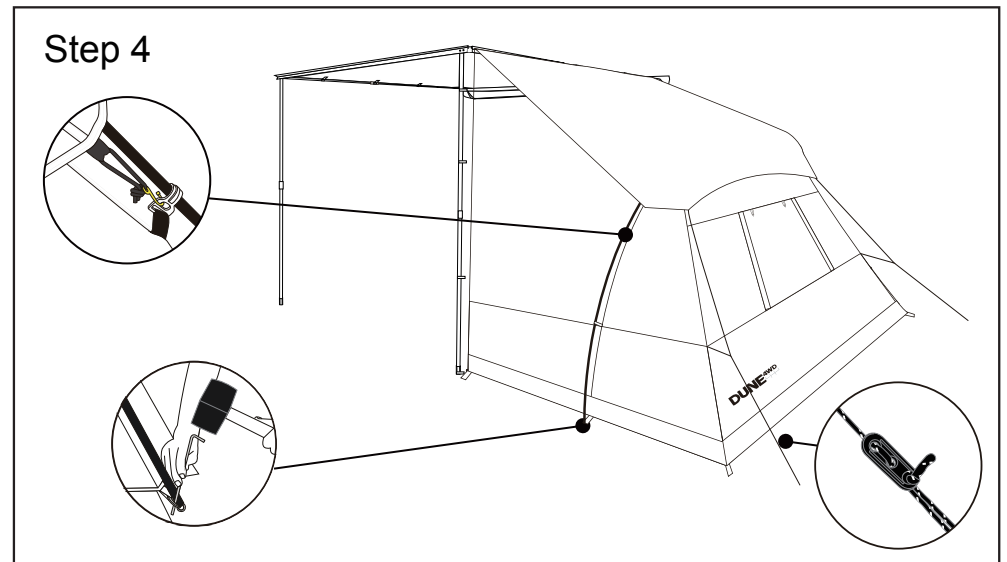
Slide the beading gently into the aluminum groove to fasten the tent to the awning. Assemble the tent poles (fiberglass pole in the middle) and slide into the pole sleeve, insert the pin and ring into both ends.

Step 3 (B) Attached to the right/left side of awning



Attach the tent to the right/left side of the awning by locking the buckles and straps onto the awning horizontal pole. Assemble the tent poles (fiberglass pole in the middle) and slide into the pole sleeve, insert the pin and ring into both ends.

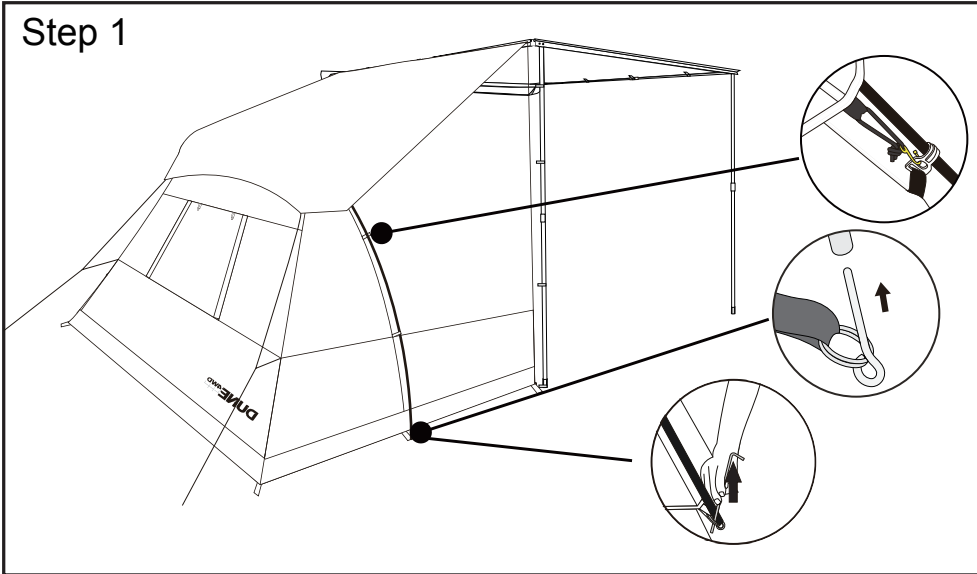
Step 4



Clip the G hooks onto the pole, attach the rainfly hook to the tent body, peg out all guy ropes and peg points.

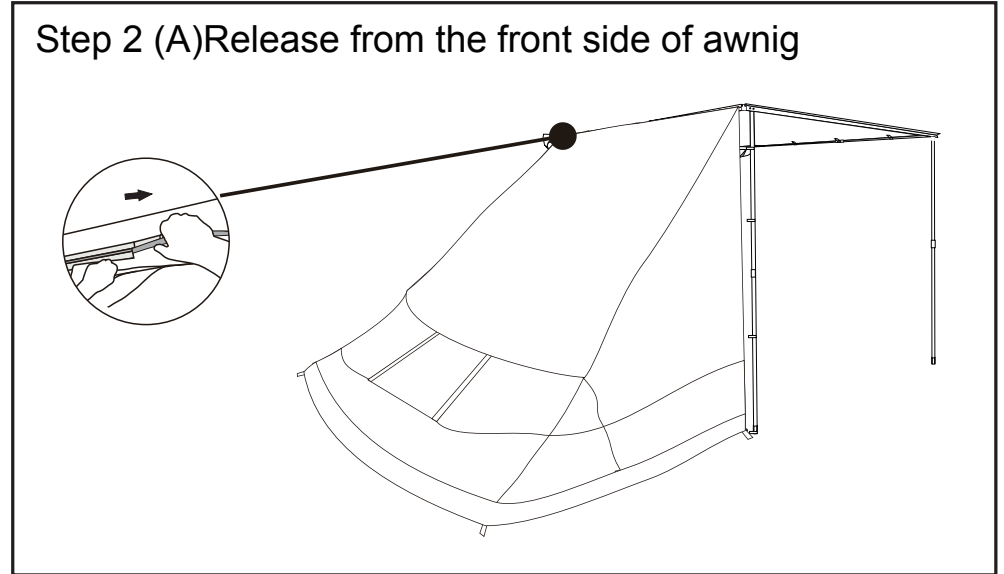
DISASSEMBLY INSTRUCTION

Step 1



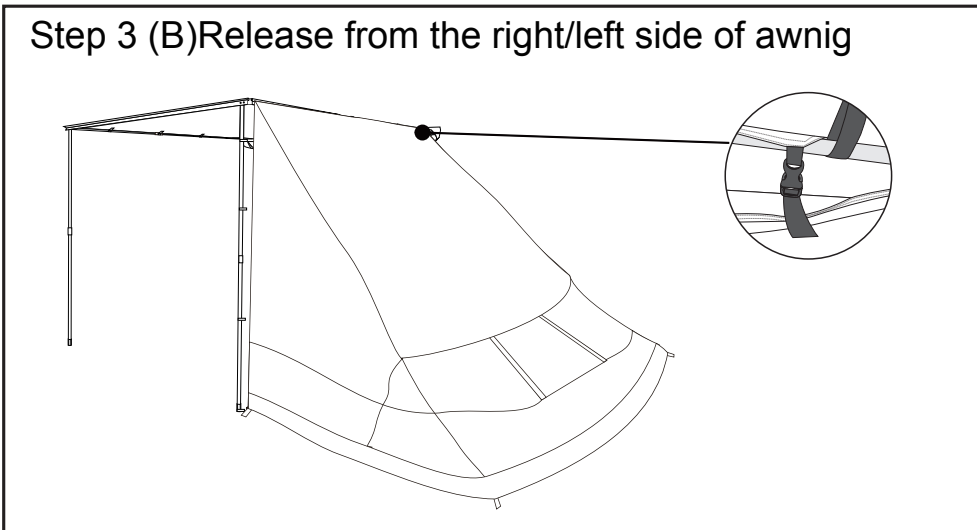
Remove all pegs. Release the guy ropes and G hooks on the tent. Pull the pin out of the ends of both the steel poles. Disassemble the tent pole and store them into the tent pole bag.

Step 2 (A) Release from the front side of awning



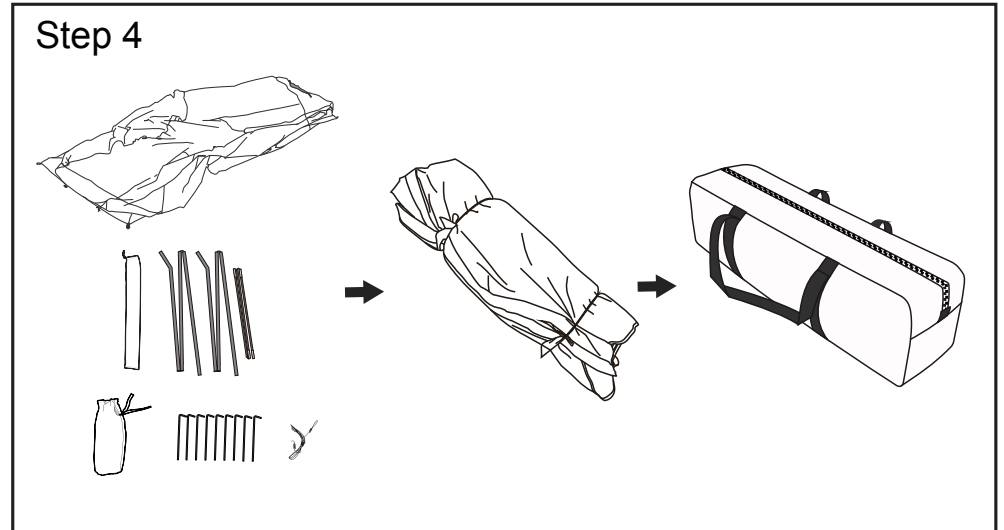
Gently slide the beading out of the aluminum groove and release the tent body.

Step 3 (B) Release from the right/left side of awning



Unlock the buckles and straps on the horizontal pole on the awning and release the tent body.

Step 4



Fold the tent body, roll it with the pole and pegs. Then pack them together into the carry bag.