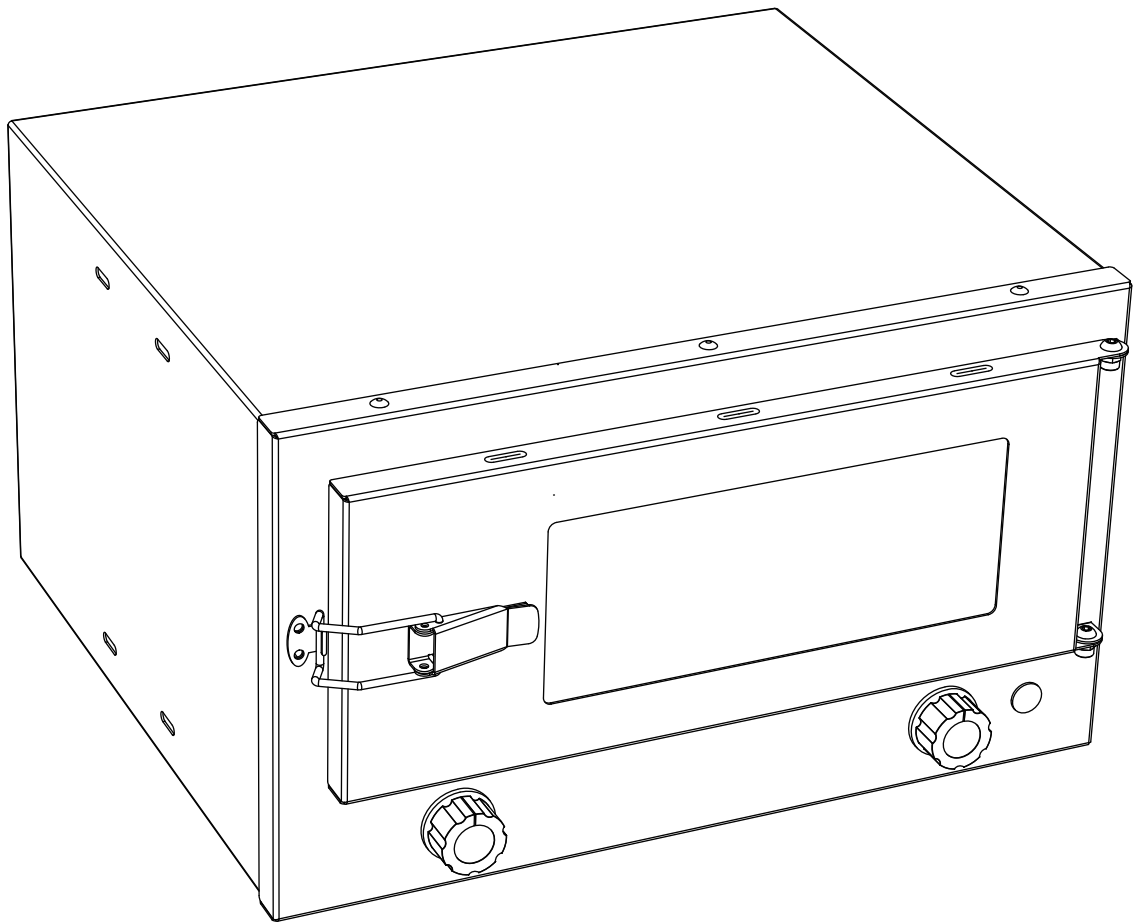


DUNE 4WD 12V OVEN USER MANUAL

Product Number: 90224557

DUNE_{4WD}



WARNING



WARNING!

The oven, its outer surfaces and contents that have been in the oven may be hot. Ensure that appropriate precautions are taken before handling the oven, its outer surfaces or contents.

- This appliance is not intended for use by persons (including children) with reduced physical, sensory or mental capabilities, or lack of experience and knowledge, unless they have been given supervision or instruction concerning use of the appliance by a person responsible for their safety. Children should be supervised to ensure that they do not play with the appliance.
- Ensure that the oven is out of reach of children.
- There is a limited number of safety warnings, for example there are no warnings related to keeping the oven away from water or rain, no instructions on how to safely clean the oven and no advice on keeping the engine running while operating the oven due to the high power consumption.
- Please ensure that nothing is touching or resting on potentially hot surfaces.
- Do not store flammable or combustible materials close to the oven.
- Do not cut or modify the wiring, doing so may void your warranty
- Do not attempt to disassemble the oven, doing so may result in damage.
- Do not expose the oven to water.
- The unit is adequately mounted within the vehicle.
- The latch may become hot during use. Please ensure appropriate safety precautions are taken.

POWER SUPPLY

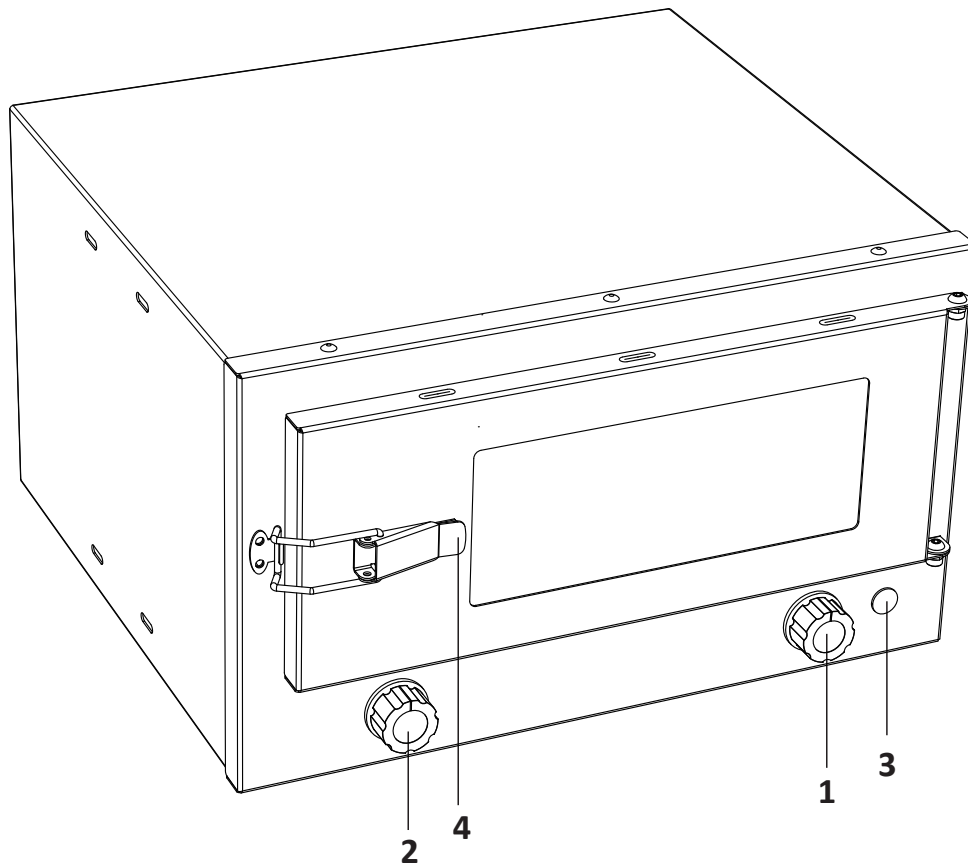
The Dune 4WD 12V Camp Oven runs from a 12V Power supply via an Anderson Style Plug/ Cigarette Lighter Plug. It is fitted with a 15A Inline fuse and will draw 10.3A/130W of power.

If either fuse does blow then there is most likely a problem that you should diagnose and rectify before replacing the fuse.

You have two options of how to plug your oven in. Via:

1. Anderson Plug
2. Cigarette Lighter Plug

INSTRUCTION



1. Timer gauge - Rotate to "ON" for permanently on. Or rotate to desired time, Timer will "ding" when it has finished, range between 1-120mins. To turn off the timer earlier, rotate anticlockwise until the timer makes a noise.
2. Temperature gauge - rotate to desired temperature.
3. Oven Light - Will turn on automatically when heating, turn off when time is up.
4. Door Latch - Spring loaded door latch. It may become hot during use. Please ensure appropriate safety precautions are taken.

SPECIFICATIONS & FEATURES

Specification	Dune 4WD 12V Camp Oven
External Size	331W x 295D x 196H MM
Internal Size	270W x 253D x 100H MM
Power	12V 130W
Operating Voltage	10-15V DC
Current	10.8A
Electrical Connection	Anderson Style Plug with Cigarette socket adapter
Fuse Rating	15A
Oven Material	Stainless Steel
Insulation	Fiberglass
Mounting Brackets	Included
Max Temperature	190°C
Oven Timer	1-120 minutes with toggle override for unlimited cooking
Light	Yes
Door	Double Glazed Glass Door

SET UP

1. Dune 4WD 12V Camp Oven comes with a set of brackets that can be used to securely attach it in your vehicle or your desired surface.
2. Simply insert the two prongs into the slots in the side of the oven and screw the brackets down. Periodically check the attachment to ensure it has not become loose.
3. Ensure that there is a 100mm air gap at the front of the oven.

COOKING TIPS

- The Dune 4WD 12V Camp Oven is not fan forced oven, cooking time will be longer and vary.
- Preheat the oven for 20-30 minutes, especially for fresh ingredients. (It will take you about 30 minutes preheating for the oven to get to 150 degrees.)
- Place food on the internal grills. Grills can be moved/removed.
- It's not recommended to overload the oven.
- It's recommended to defrosting frozen food before cooking.
- Rotate your food from bottom to top as required.
- Please pay attention on oven bottom if you place food on the bottom during cooking, as it may burn.
- A fully charged 120 Ah deep cell battery is recommended to ensure a consistent 2+ hour cook.