

# DUNE<sup>4WD</sup>

## PRODUCT MANUAL



**24Ah**  
**LITHIUM**  
**POWER PACK**

# DUNE<sup>4WD</sup>

## PRODUCT MANUAL



### 24Ah LITHIUM POWER PACK

## Contents

1. Safety Instructions .....	3
2. Product Overview .....	4
3. Operating Instructions .....	5
Controls .....	5
Instructions .....	5
<u>Charge the power pack</u> .....	5
<u>Charge your devices</u> .....	6
<u>LED Torch</u> .....	6
4. Maintenance and Product Care .....	7
5. Troubleshooting .....	8
7. Technical Data .....	9
9. Warranty .....	10

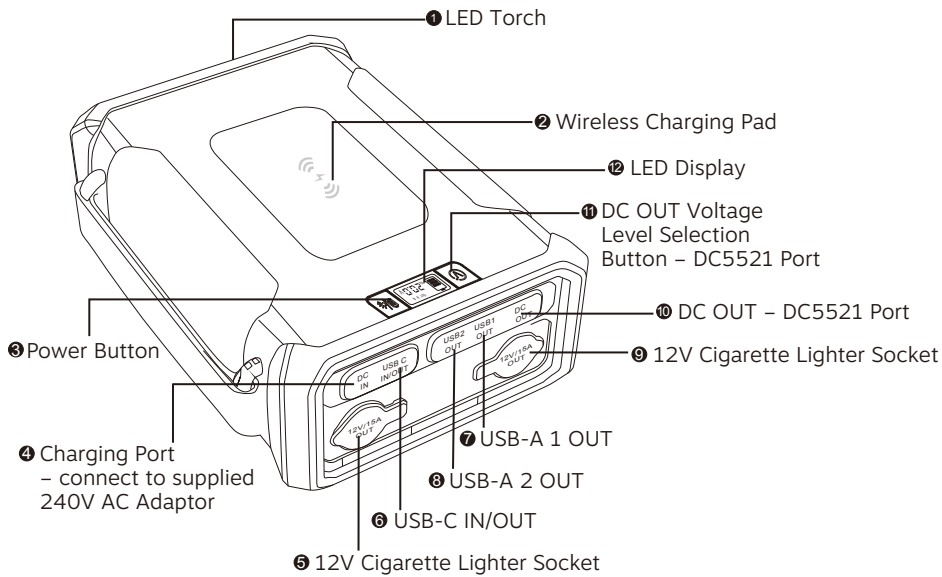
### **Notice:**

Please read this instruction manual thoroughly, prior to operation. Keep the manual in a safe place for future reference.

## **1. Safety Instructions**

1. This appliance is not intended for use by persons (including children) with reduced physical, sensory or mental capabilities, or lack of experience and knowledge, unless they have been given supervision or instruction concerning use of the appliance by a person responsible for their safety.
2. Children should be supervised to ensure that they do not use the appliance.
3. This appliance is not suitable for use in locations where children are likely to be present.
4. 32700 6000mAh 3.2V rechargeable LiFePO<sub>4</sub> cells are contained in the appliance.
5. Do not leave the appliance unattended while charging and discharging.
6. Use only with supplied battery charger.
7. Do not charge the appliance in temperatures below 0°C or above 60°C. The appliance will automatically shut down in extreme temperatures.
8. Do not charge or discharge the appliance near flammable textile surfaces.
9. Ensure the appliance is charged and used in a well-ventilated area. Excessive heat buildup can damage batteries or devices.
10. Do not expose the device to high humidity environments.
11. Avoid storing the appliance long-term in ambient temperatures exceeding 35°C (such as but not limited to cars, sheds or poorly ventilated spaces on hot days) as this will affect the longevity of the battery cells.
12. Do not store near anything flammable or explosive.
13. Never attempt to disassemble the appliance.
14. Do not drop, impact, puncture the appliance.
15. Do not immerse in water.
16. Always be aware of the risk of the power pack terminals being short-circuited by metal objects.
17. Ensure the device is protected from direct sunlight and rain at all times.
18. Do not use the appliance in temperatures below -10°C or above 60°C. Extreme temperatures can affect battery performance and life span.
19. Do not use cables if damaged.
20. This appliance contains batteries that are non-replaceable. When the battery is at end of life, the appliance shall be properly disposed of.
21. Regularly inspect the status of the appliance, including battery charge levels and external damage. If any issues arise, stop use immediately.
22. Follow applicable disposal regulations to safely dispose of the device at the end of its service life.
23. Do not dispose in household waste or recycling bins. Improperly discarded LiFePO<sub>4</sub> products may cause fire and release harmful chemicals into the environment.

**2. Product Overview**



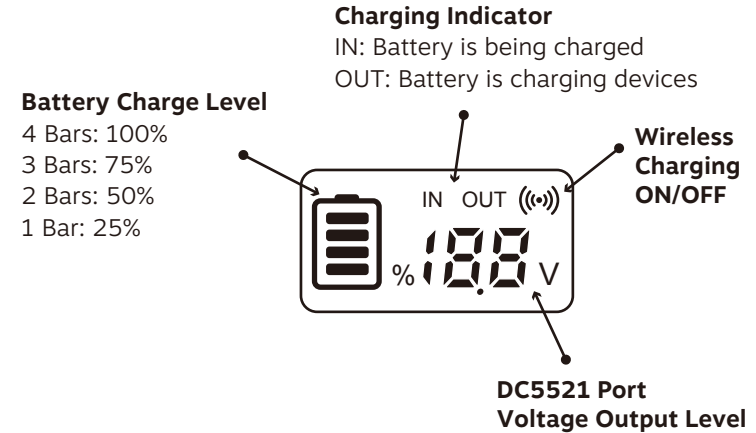
Item No.	Item Name
1	LED Torch
2	Wireless Charging Pad
3	Power Button
4	Charging Port – connect to supplied 240V AC Adaptor
5	12V Cigarette Lighter Socket
6	USB-C IN/OUT
7	USB-A 1 OUT
8	USB-A 2 OUT
9	12V Cigarette Lighter Socket
10	DC OUT – DC5521 Port
11	DC OUT Voltage Level Selection Button – DC5521 Port
12	LED Display

**What's in the box**

- Dune 4WD 24Ah Lithium Power Pack
- 240V AC Adaptor
- USB-C to USB-C Cable
- DC5521 to DC5521 Cable
- DC5521 Plug Converter Set
- Product Manual

**3. Operating Instructions**

**Controls**



**Instructions**

Charge the power pack

You can charge the power pack via the following methods:

Charging Method	Approximate Charge Time	Notes
240V AC Adaptor	~10 Hours	<ul style="list-style-type: none"> <li>• Only use the supplied AC Adaptor</li> <li>• Ensure this is plugged into 'DC IN' port.</li> </ul>
USB-C	~6 Hours (60W PD)	<ul style="list-style-type: none"> <li>• Charge time for the USB-C input depends on the output power of your charger.</li> <li>• If charging via USB-C, we recommend using an adaptor that supplies at least 60W for fast charging.</li> <li>• Ensure that the adapter output power matches the input power of the device</li> </ul>
Solar Panel	N/A	<ul style="list-style-type: none"> <li>• Charge time depends on a range of factors, including the power output of your solar panel, the light intensity at the solar panel cells and voltage drop in your cable.</li> <li>• It can support up to 80W charging.</li> </ul>

**Note: When using DC IN port to charge the power pack, USB-C Out port will not work.**

### Charge your devices

NOTE: The power pack will automatically turn on and charge devices when they are plugged in. When charging, the battery charge level will flash and indicate the current charge level.

NOTE: This device is capable of pass-through charging.

NOTE: The power pack will automatically turn off after devices are unplugged from the ports.

#### **Wireless Charging**

1. To activate wireless charging, press the power button.
2. The wireless charging indicator on the LED display will appear to indicate that that the wireless charging function is active.

#### **'DC OUT'**

The DC OUT port (DC5521) is capable of providing several voltage level outputs, to power a range of 12-24V DC devices. Use this to charge laptops, fans, pumps, LED lights and more. See Technical Data for the range of DC output levels.

You will need to first select the appropriate voltage level for your device before connecting it to this port.

1. Press and hold the 'DC OUT Voltage Selection' button to unlock this setting. The LED display will start to flash when this is unlocked
2. Press the button to cycle through voltage levels.
3. Select the voltage level required by your device.
4. Wait until the LED display stops flashing.
5. Connect your device with an appropriate cable.

WARNING: Serious damage may occur to your device if an incorrect voltage level is selected. Ensure you are using the correct voltage setting for your device before using this port.

Your power pack comes with a DC5521 to DC5521 connector and several plug converters for use with this port.

### LED Torch

- Amber LED Torch: Hold the power button to turn ON/OFF
- White LED Torch: Double tap the power button to turn ON/OFF.

### **4. Maintenance and Product Care**

- To protect battery life, please unplug the charging cable once the power pack is fully charged.
- Run a full charge / discharge cycle at least once every three months to avoid shortening the life span of the battery.
- When storing the power pack long-term, we recommend storing at approximately 80% charge.
- Although the power pack is capable of pass-through charging, avoid charging and discharging the power pack at the same time as this may reduce the battery's life span.
- When supply power for different devices. A further 10% - 20% is lost by the device being charged and the charging cable used.
- Always use the original cable supplied with the device.

## 5. Troubleshooting

### Power pack will not recharge or recharges slowly

- If charging via 240V AC, please confirm that you are using the supplied 240V AC adaptor.
- If charging via USB-C, confirm that there are no issues with the USB-C cable, and that the power source matches the power input requirements of the power pack as indicated in Technical Data.
- If powering via solar panel, confirm that there are no issues with your cable, and that you have placed the solar panel in a location with adequate sunlight and that the actual power output from the solar panel matches the power input of the power pack as specified in Technical Data.
- If issues persist, please contact your local Anaconda store.

### Power pack has charge remaining but is not charging my device

- Confirm that the power output from the port you are using matches the power input requirements of your appliance.
- Confirm the total power output across all ports does not exceed 180W. You are able to use all output ports at once, but the maximum total load cannot exceed 180W.
- It is recommended to avoid using the DC5521 and USB port when the cigarette socket is drawing maximum power as indicated in Technical Data.
- If using the wireless charging, confirm that you have turned this feature on by checking the wireless charging indicator (see 'product overview' above). Press the power button to activate wireless charging.

## 6. Technical Data

<b>Product</b>	Dune 4WD 24Ah Lithium Power Pack
<b>Article No.</b>	90217641
<b>Power Pack Capacity</b>	24Ah/307.2Wh @12.8V DC
<b>Battery Cell Capacity</b>	6Ah/19.2Wh @3.2V DC
<b>Dimensions (mm)</b>	226 x 165 x 76
<b>Net Weight (kg)</b>	3

Input	
<b>DC5521</b>	DC 18-24V, 4A
<b>USB-C</b>	DC 5V/3A DC 9V/3A DC 12V/3A DC 15V/3A DC 20V/3A
<b>Solar Panel</b>	80W Max

Output	
<b>Cigarette Socket</b>	DC 12V, 10A Constant, 15A Peak
<b>USB-A 1&amp;2</b>	DC 5V/3A DC 9V/2A DC 12V/1.5A
<b>USB-C</b>	DC 5V/3A DC 9V/3A DC 12V/3A DC 15V/3A DC 20V/3A
<b>DC5521</b>	DC 12V/5A DC 16.5V/4A DC 20V/3.5A DC 24V/3.5A
<b>Wireless Charging Pad</b>	10W

**Note: Maximum power output of the power pack is 180W.**

## 7.Warranty

THIS PRODUCT IS GUARANTEED TO BE FREE FROM DEFECTS IN WORKMANSHIP AND MATERIALS FOR A PERIOD OF 1 YEAR FROM THE DATE OF PURCHASE. THE PRODUCT WILL BE REPLACED OR REFUNDED FOR A MAJOR FAILURE. THE PRODUCT WILL BE REPAIRED OR REPLACED AT OUR DISCRETION, SHOULD THE PRODUCT FAIL TO BE OF AN ACCEPTABLE QUALITY AND FAILURE IS NOT CONSIDERED A MAJOR FAILURE.

WARRANTY WILL NOT APPLY IF THE PRODUCT (A) IS DAMAGED THROUGH MISUSE (INCLUDING FAILURE TO MAINTAIN), NEGLIGENCE, ACCIDENT OR ORDINARY WEAR AND TEAR (INCLUDING RUST, CORROSION, NORMAL FADING, WEATHERING, STAINING, DISCOLOURATION, SCRATCHING OR CHIPPING); (B) IS DAMAGED THROUGH EXPOSURE TO HEAT; (C) IS USED COMMERCIALY; (D) HAS NOT BEEN USED OR INSTALLED IN ACCORDANCE WITH ANY APPLICABLE INSTRUCTIONS; OR (E) HAS BEEN MODIFIED, REPAIRED OR TAMPERED WITH BY THE PURCHASER OR AN UNAUTHORISED SERVICE PERSON.

OUR GOODS COME WITH GUARANTEES THAT CANNOT BE EXCLUDED UNDER THE AUSTRALIAN CONSUMER LAW. YOU ARE ENTITLED TO A REPLACEMENT OF REFUND FOR A MAJOR FAILURE AND FOR COMPENSATION FOR ANY OTHER REASONABLY FORESEEABLE LOSS OR DAMAGE. YOU ARE ALSO ENTITLED TO HAVE THE GOODS REPAIRED OR REPLACED IF THE GOODS FAIL TO BE OF AN ACCEPTABLE QUALITY AND THE FAILURE DOES NOT AMOUNT TO A MAJOR FAILURE.

TO CLAIM UNDER THIS WARRANTY, PLEASE TAKE THIS PRODUCT TO THE ANACONDA WHERE YOU PURCHASED IT. YOU WILL NEED YOUR RECEIPT OR OTHER PROOF OF PURCHASE. ADDITIONAL INFORMATION MAY BE REQUESTED OF YOU TO PROCESS YOUR CLAIM. SHOULD YOU NOT BE ABLE TO PROVIDE PROOF OF PURCHASE WITH A RECEIPT; A BANK OR CREDIT STATEMENT, AND IDENTIFICATION SHOWING YOUR NAME, ADDRESS AND SIGNATURE MAY BE REQUIRED TO PROCESS YOUR CLAIM. ANY EXPENSE RELATING TO THE RETURN OF THE PRODUCT TO THE STORE WILL BE AT THE EXPENSE OF THE CUSTOMER. FOR ONLINE PURCHASES, PLEASE CONTACT US TO ARRANGE WHERE AND HOW TO RETURN THE PRODUCT.

TO OBTAIN COMPENSATION, YOU WILL NEED TO PROVIDE DOCUMENTARY EVIDENCE OF THE LOSS OR DAMAGES SUFFERED, AND DOCUMENTARY EVIDENCE THAT SUCH LOSS OR DAMAGE WAS REASONABLY FORESEEABLE CONSEQUENCE OF A FAILURE. SUCH EVIDENCE MAY INCLUDE PHOTOGRAPHS, STATUTORY DECLARATIONS, RECEIPTS, REPORTS (EG. FROM YOUR DOCTOR), DEPENDING ON THE LOSS OR DAMAGE.

THE BENEFITS GIVEN BY THIS WARRANTY ARE IN ADDITION TO OTHER RIGHTS AND REMEDIES UNDER THE AUSTRALIAN CONSUMER LAW IN RELATION TO THE GOODS AND SERVICES TO WHICH THIS WARRANTY RELATES. WARRANTY EXCLUDES CONSUMABLE REPLACEMENT/SERVICEABLE PARTS (WHERE APPLICABLE TO THE PRODUCT) AS DETAILED IN THE PRODUCT INSTRUCTION MANUAL OR PACKAGING WHICH ARE AVAILABLE FOR PURCHASE.

### **THIS WARRANTY IS PROVIDED BY:**

ANACONDA GROUP PTY LTD (ABN 53 955 173 782)  
LEVEL 6, 111 CECIL STREET, SOUTH MELBOURNE, VIC, 3205  
WWW.ANACONDASTORES.COM PH: 1300 558 990

### **IMPORTED BY:**

ANACONDA GROUP PTY LTD (ABN 53 955 173 782)  
LEVEL 6, 111 CECIL STREET, SOUTH MELBOURNE, VIC, 3205

### **MADE IN CHINA**

**DUNE**<sup>4WD</sup>  
4+4