

# DUNE<sup>4WD</sup>

## PRODUCT MANUAL

**SINGLE ZONE  
FRIDGE/  
FREEZER**



**DUAL ZONE  
FRIDGE/  
FREEZER**



# DUNE<sup>4WD</sup>

## PRODUCT MANUAL

**SINGLE ZONE  
FRIDGE/  
FREEZER**



**DUAL ZONE  
FRIDGE/  
FREEZER**



©ANACONDA GROUP PTY LTD

## Contents

|                                                       |    |
|-------------------------------------------------------|----|
| 1. Safety Instructions .....                          | 3  |
| 2. Product Overview .....                             | 5  |
| 3. Operating Instructions .....                       | 6  |
| Powering on/off the unit.....                         | 7  |
| Settings Mode.....                                    | 7  |
| Set the temperature.....                              | 7  |
| Set the compressor mode (ECO/MAX).....                | 8  |
| Set the battery protection level (HIGH, MED, LOW).... | 8  |
| Turn off/on a compartment (Dual zone only).....       | 8  |
| Un-pair Bluetooth device.....                         | 9  |
| Change the temperature display unit (°C or °F).....   | 9  |
| Bi-directional, removable lid .....                   | 9  |
| Tie-down plate.....                                   | 10 |
| 4. App Instruction Guide.....                         | 11 |
| 5. Maintenance and Product Care .....                 | 12 |
| 6. Error Codes and Troubleshooting.....               | 13 |
| 7. Technical Data .....                               | 15 |
| 8. Product Drawings .....                             | 16 |
| 9. Warranty Statement .....                           | 17 |

### Notice:

Please read this instruction manual thoroughly, prior to operation. Keep the manual in a safe place for future reference.

## 1. Safety Instructions

The safety precautions outlined below reduce the risk of fire, electric shock and injury when correctly adhered to. Always follow general safety precautions and accident prevention measures when using the device.

1. **WARNING:** Do not operate the device if it is visibly damaged.
2. **WARNING:** When positioning the appliance, ensure the supply cord is not trapped or damaged.
3. **WARNING:** Do not locate multiple portable socket-outlets or portable power supplies at the rear of the appliance. Do not subject the power cord or wires to mechanical stress.
4. This appliance is not intended for use by persons (including children) with reduced physical, sensory or mental capabilities, or lack of experience and knowledge, unless they have been given supervision or instruction concerning use of the appliance by a person responsible for their safety.
5. Children should be supervised to ensure that they do not play with the appliance.
6. If the power supply cord is damaged, it must be replaced by the manufacturer, its service agent or similarly qualified persons in order to avoid a hazard.
7. Do not immerse this appliance in water.
8. Do not store explosive substances such as aerosol cans with a flammable propellant in this appliance.
9. Do not store caustic materials or materials containing solvents.
10. Do not use mechanical devices or other means to accelerate the defrosting process.
11. This appliance shall not be exposed to rain.
12. Do not place this appliance near fire or naked flame.
13. Disconnect the power supply before carrying out any maintenance operations on the appliance.
14. Cleaning and user maintenance shall not be performed by children without supervision.
15. Repairs should only be carried out by a suitably qualified and authorized person.
16. The insulation of this appliance contains flammable cyclopentane and requires special disposal procedures. In accordance with applicable disposal regulations, deliver the appliance at the end of its life cycle to an appropriate recycling center.
17. **WARNING:** Risk of Fire, Flammable materials.



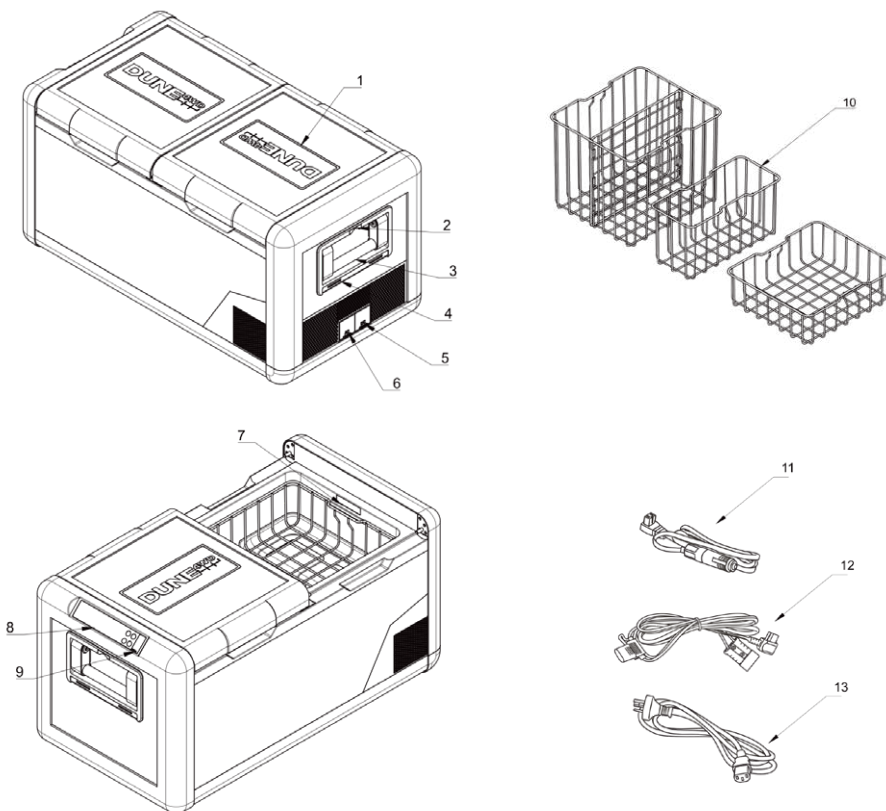
**NOTE :**

1. This appliance is suitable for camping use.
2. This appliance is intended to be used in household and similar applications such as:
  - Staff kitchen areas in shops, offices and other working environments
  - Farm houses and by clients in hotels, motels and other residential type environments
  - Bed and breakfast type environments
3. This appliance may be connected to more than one source of energy. Make sure to adjust the appliance for operation at the required rated voltage or rated frequency. The refrigerator can be powered by a multi-voltage system utilizing either DC 12/24 Volts or AC 220-240 Volts. Only connect the appliance as follows:
  - With the DC connection cable to DC socket; or,
  - With the AC connection cable to AC mains.

*NOTE: The multi-voltage system by default will preference DC input*

4. Always ensure a minimum of 50mm ventilation on all four sides, and an additional 100mm where the vents of the fridge are located. Always ensure that the ventilation openings are not covered.
5. Position the appliance in a safe and secure location. Limit exposure to heat sources or direct sunlight which can affect the units' performance and efficiency.
6. It is recommended to allow this appliance to be positioned in the upright orientation as indicated on the packaging for at least 6 hours before first use.
7. It is recommended to clean this appliance inside and outside with a damp cloth for hygienic reasons before every use.
8. Always ensure that the power supply cable and plug are dry before use.
9. Always disconnect the appliance from the power supply after use.
10. DO NOT store any electrical device inside the appliance.
11. Food should only be stored in appropriate packaging or containers.
12. The device is designed to operate in ambient temperatures between 10°C and 43°C.
13. It is recommended to operate the unit on a level surface to avoid damage to the compressor. The device is designed for short-term operation at angles up to 30°.

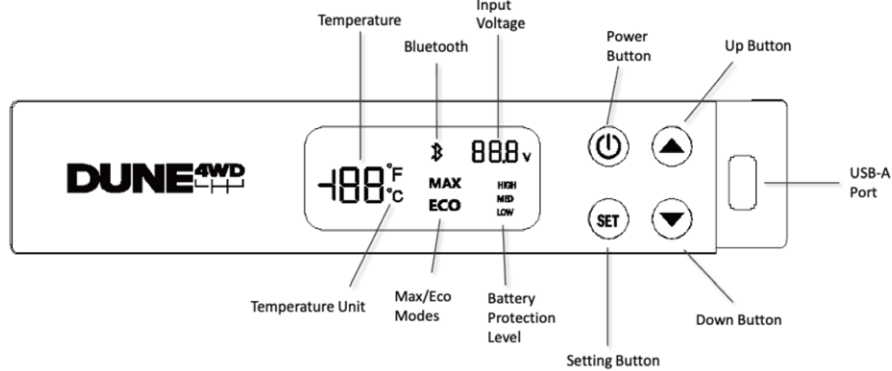
**2. Product Overview**



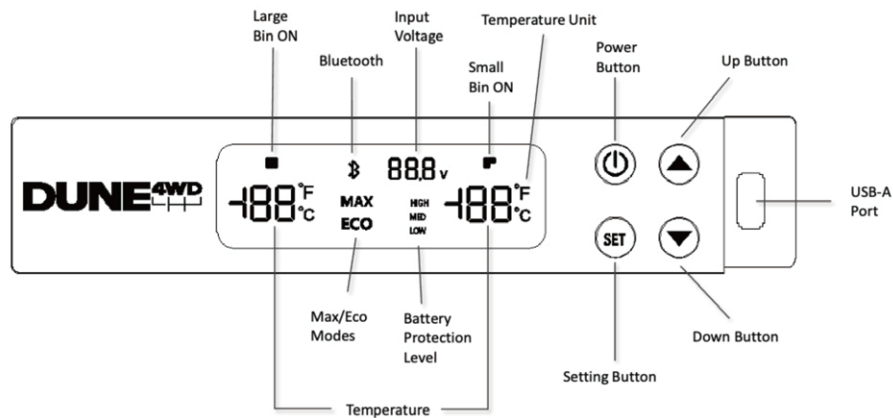
| Item No. | Item Name      |           |                                   |
|----------|----------------|-----------|-----------------------------------|
| <b>1</b> | Reversible Lid | <b>8</b>  | Control Panel                     |
| <b>2</b> | Bottle Opener  | <b>9</b>  | USB Port                          |
| <b>3</b> | Carry Handles  | <b>10</b> | Removable Baskets                 |
| <b>4</b> | Tie-down Plate | <b>11</b> | DC Power Cable - Cigarette Socket |
| <b>5</b> | DC Input       | <b>12</b> | DC Power Cable – Anderson         |
| <b>6</b> | AC Input       | <b>13</b> | AC Power Cable                    |
| <b>7</b> | LED Light      |           |                                   |

### 3. Operating Instructions

#### Control Panel – Single Zone



#### Control Panel – Dual Zone





#### NOTE:



- The temperature displayed on the control panel at start-up is the current internal temperature of your Dune 4WD Fridge/Freezer unit. This will appear as a continuous, non-flashing icon. Enter the settings mode (see below 'Settings Mode') to set compartment temperatures. In this mode, the set temperature for a given compartment will appear as a flashing icon.

- Your control panel settings are stored in the control panel system memory. If you suddenly lose power or disconnect your fridge from the power source, your temperature and other settings will automatically restore.
- The voltage display is used to monitor the DC voltage at the device input. This can be used to aid selection of an appropriate battery protection level when the device is powered by a battery. When the unit is powered by 220-240V AC, the voltage display on the control panel will disappear.





#### Powering on/off the unit

- Plug in either the AC or DC power cable supplied with your unit.
- Hold the  button for 3 seconds to turn the unit on.
- Hold the  button for 3 seconds to turn the unit off.

#### Settings Mode





- Press the  button to enter the settings mode.
- Cycle through the different setting options by pressing the  button.
- The setting option you have selected will flash, to indicate it can be adjusted.
- Once you have finalized your setting changes, you do not need to press anything – after 3 seconds, the control panel will exit the settings mode and return to its regular display state.

#### Set the temperature

- For the single zone: press the  button to enter the settings mode.
- The compartment temperature will flash to indicate that it can be adjusted.
- Press the  or  button to increase or decrease the compartment temperature respectively.
- NOTE: For the dual zone, press the  button again to adjust the compressor compartment temperature.
- NOTE: Temperature range is -22°C to +10°C.
- NOTE: Temperature setting in step of 1°C.





Set the compressor mode (ECO/MAX)

Adjust the compressor mode to either save power (ECO) or maximise cooling speed (MAX):

- Press the  button to enter the settings mode.
- Press the  button until the compressor mode icon (ECO or MAX) is flashing.
- Press the  or  button to select the compressor mode.



Set the battery protection level (HIGH, MED, LOW)

Use the 3-stage battery protection to ensure your Dune 4WD Fridge/Freezer does not deplete your power source. When the voltage input drops below the 'cut-off' value, the fridge unit will turn off. When the voltage input reaches the 'restart' value after the power source is charged, the fridge unit will turn back on. It is recommended to set the battery protection level to 'high' when the fridge is powered by a vehicle battery.



- Press the  button to enter the settings mode.
- Press the  button until the battery protection icon (HIGH, MED or LOW) is flashing.
- Press the  or  button to select the battery protection level.

|     |         | HIGH  | MED   | LOW   |
|-----|---------|-------|-------|-------|
| 12V | Cut-off | 11.1V | 10.5V | 10.1V |
|     | Restart | 12.4V | 11.4V | 10.9V |
| 24V | Cut-off | 24.3V | 22.3V | 21.5V |
|     | Restart | 24.7V | 23.7V | 22.7V |

**Turn off/on a compartment (Dual-zone only)**

- Hold the  button for 3 seconds to turn off the large compartment.
- Hold the  button for 3 seconds to turn off the small compartment.
- NOTE: To turn on the compartment again, hold down the relevant arrow key until the compartment temperature display reappears on the control panel.

**Un-pair Bluetooth device**



- Hold the  and  buttons simultaneously for 3 seconds to manually un-pair the fridge unit from a Bluetooth device.
- The Bluetooth icon will disappear when the fridge unit has successfully un-paired from the Bluetooth device.

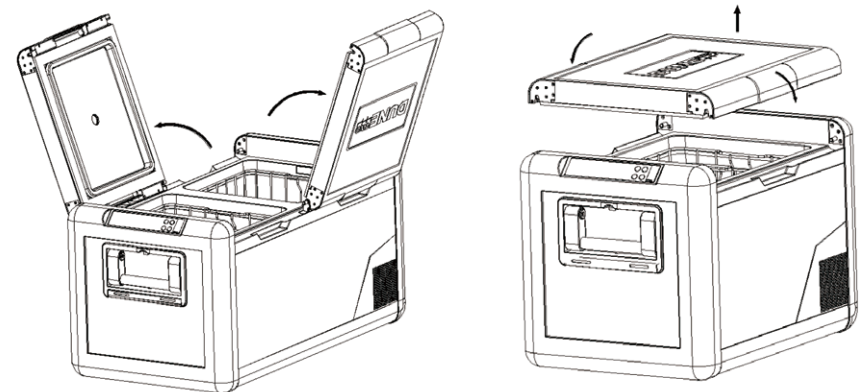
Note:

Your Dune 4WD Fridge/Freezer is always discoverable as a Bluetooth device. Once the Dune 4WD Fridge/Freezer unit has paired with a smartphone, the Bluetooth symbol will automatically appear on the control panel display. Once you have un-paired your Dune 4WD Fridge/Freezer unit, the Bluetooth icon will disappear.

Once the fridge unit is paired to a smartphone, it is locked to that smartphone until you either disconnect from the Fridge unit on your Dune 4WD app, or manually un-pair on the control panel with the above step (see 'Un-pair Bluetooth device')

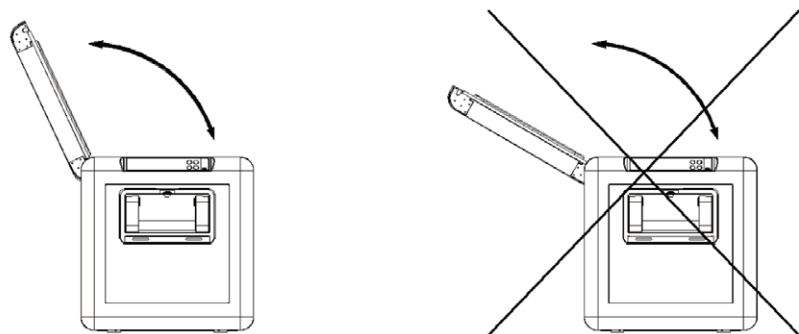
**Change the temperature display unit (°C or °F)**

- Hold the  and  buttons simultaneously for 3 seconds to switch the temperature display unit between Celsius and Fahrenheit.

**Bi-directional, removable lid**

Your Dune 4WD Fridge/Freezer lids are bi-directional – meaning that they can be opened from either side. They are also completely removable – this makes for easy access and cleaning of your fridge interior.

NOTE: Your fridge will rest in an open state at approximately 100 degree angle from the horizontal – avoid exerting excessive pressure on the lid when it is resting in the open position, as this can damage the latch and hinge mechanism, as well as cause wear and tear on parts.



### Tie-down plate



Your Dune 4WD Fridge/Freezer comes with a built-in tie-down plate to conveniently secure your fridge during transport. To use the tie-down plate, follow the instructions below:

the instructions below:

- Feed the tie-down strap through the tie-down slot
- Pull the strap out from the gap beneath the slots
- Feed the strap through the anchoring point on your load-bearing structure.
- Feed this back into your tie-down strap buckle and pull the strap until it is taut

NOTE: Always secure tie-down straps to suitable load-bearing structures.

NOTE: Avoid applying too much tension to the strap as this will cause wear and tear on parts and other accessories.

NOTE: Do not use if the strap is damaged.

NOTE: The recessed carry handles can also be used as a tie-down point.

### 4. App Instruction Guide

Your Dune 4WD Fridge/Freezer comes with an app to control settings, monitor your device, view product information and get help.



### Pair Your Bluetooth Device

Step 1: Download the free 'Dune 4WD Fridge/Freezer' app from the Apple or Google Play store.

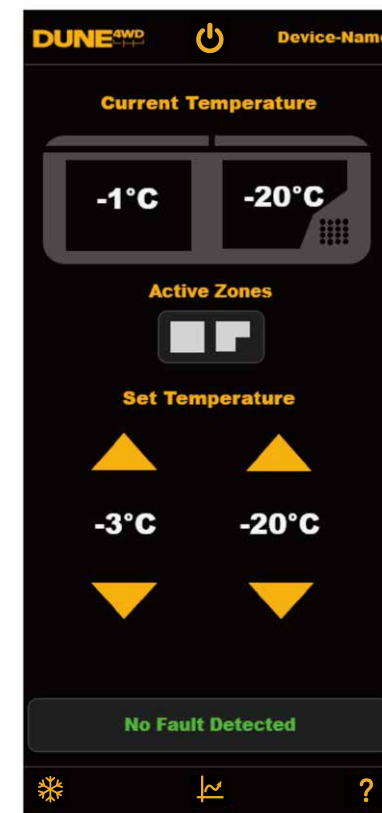
Step 2: Open the App

Step 3: Select your fridge from the list of devices to enter the controls screen.

The app consists of three pages: controls, advanced and help.

With the Dune 4WD Fridge/Freezer app, you can:

- Set and monitor the temperature
- Turn device on/off
- Adjust battery protection level and compressor mode
- View voltage supplied to fridge
- Access the troubleshooting guide and product manual
- Select active zones (Dual-zone only)
- Name your device
- ... and more!





## 5. Maintenance And Product Care

Taking proper care of your Dune 4WD Fridge/Freezer is essential to ensure it lasts for many years of trouble-free use. Here are some tips on maintenance, product care and servicing:

- **Regularly defrost after use:** Each time you open your Dune 4WD Fridge/Freezer lid, air enters the refrigeration compartment. When air comes in contact with the cool wall of your fridge the water content will condense out and – if the temperature is cold enough – the water will turn to ice. Over time this ice can build up, which can cause damage to internal components, reduce the efficiency of your fridge, and will turn to liquid when your fridge is turned off, which can cause mould. Ensure ice does not build up over time by following the steps below after each use:
  - Turn off your fridge freezer and disconnect from the power source.
  - Take off the lids and let the ice melt at room temperature.
  - Once the frost has melted, remove the drain plug to drain the liquid water through the drain hole.
  - Wipe down the inner walls with a cloth.
  - Leave your fridge with the lid off in a dry, shady spot to dry out.
  - Remember to put the drain plug back in before use.

NOTE: Do not use sharp objects to remove ice. Do not leave your fridge in direct sunlight.

- **Keep it clean:** Regularly clean the inside and outside of your fridge with a damp cloth. Avoid using harsh chemicals or abrasive cleaners as they can damage the surface of the fridge. Once you have wiped down the fridge, leave it in a shady, dry spot to dry out. Regularly wiping down the inside of your fridge can remove grime, dirt and condensation from your fridge, which can cause damage to internal components, reduce the efficiency of your fridge, and cause mould and odour.

NOTE: Be sure to avoid wiping over the compartment temperature sensor directly, as this can damage the sensor.

- **Check the seals:** The lid seals on your fridge are an important component in keeping it cool. Make sure they are clean and free of debris and check them regularly for any signs of wear or damage.
- **Store it properly:** When not in use, store your fridge in a cool, dry place with the lid off to allow air to circulate. This will help prevent mould and mildew growth and keep the fridge in good condition. Remember to wipe down your fridge before using it again.
- **Avoid marine environments:** We recommend avoiding marine environments, as salt can cause corrosion damage to electrical and metal components.

## 6. Error Codes and Troubleshooting

| Error Code | Description            | Possible Cause                                                                                                                                                            | Recommended Action                                                                                                                                                                                                                                                                                                                                                                                                                                                                                                                                                                                                                                                                                                                                                                                                                              |
|------------|------------------------|---------------------------------------------------------------------------------------------------------------------------------------------------------------------------|-------------------------------------------------------------------------------------------------------------------------------------------------------------------------------------------------------------------------------------------------------------------------------------------------------------------------------------------------------------------------------------------------------------------------------------------------------------------------------------------------------------------------------------------------------------------------------------------------------------------------------------------------------------------------------------------------------------------------------------------------------------------------------------------------------------------------------------------------|
| E1         | Low voltage input      | <ul style="list-style-type: none"> <li>• Power cable causing excessive voltage drop</li> <li>• Battery protection level too high</li> <li>• Power source issue</li> </ul> | <ol style="list-style-type: none"> <li>1. <b>Confirm that you are using the power cable supplied with your device.</b> Incorrect cabling can cause excessive voltage drop, which can reduce the voltage level at the input to your fridge below the minimum threshold.</li> <li>2. <b>Lower the battery protection level to 'MED' or 'LOW'.</b> Battery voltage output reduces with use – your power source may not be supplying enough voltage to reach the restart voltage level of the 'HIGH' protection setting. If lowering the protection level resolved the issue, consider troubleshooting the original power source.</li> <li>3. <b>Try a different power source (e.g. power station, vehicle battery or 240V AC).</b> If changing the power source resolved the issue, consider troubleshooting the original power source.</li> </ol> |
| E2         | Fan issue              | Fan drawing too much current                                                                                                                                              | The fan must be replaced - contact your local Anaconda store for assistance.                                                                                                                                                                                                                                                                                                                                                                                                                                                                                                                                                                                                                                                                                                                                                                    |
| E3         | Compressor start issue | <ul style="list-style-type: none"> <li>• Compressor fault</li> <li>• Compressor module fault</li> </ul>                                                                   | <ol style="list-style-type: none"> <li>1. Unplug for 10 minutes.</li> <li>2. Try a different power source (e.g. power station, vehicle battery or 240V AC). If changing the power source resolved the issue, consider troubleshooting the original power source.</li> <li>3. If still unresolved, contact your local Anaconda store for assistance.</li> </ol>                                                                                                                                                                                                                                                                                                                                                                                                                                                                                  |
| E4         | Compressor speed issue |                                                                                                                                                                           | <ol style="list-style-type: none"> <li>1. Unplug for 10 minutes.</li> <li>2. Reduce amount of produce in fridge.</li> <li>3. If still unresolved, continue with E5 recommended actions.</li> </ol>                                                                                                                                                                                                                                                                                                                                                                                                                                                                                                                                                                                                                                              |



|                |                          |                                                                                                                                                                                |                                                                                                                                                                                                                                                                                                                                                                                                                                                        |
|----------------|--------------------------|--------------------------------------------------------------------------------------------------------------------------------------------------------------------------------|--------------------------------------------------------------------------------------------------------------------------------------------------------------------------------------------------------------------------------------------------------------------------------------------------------------------------------------------------------------------------------------------------------------------------------------------------------|
| E5             | Overheat Warning         | <ul style="list-style-type: none"> <li>Blocked vents or restricted air flow through compressor compartment</li> <li>Ambient temperature too high</li> <li>Fan fault</li> </ul> | <ol style="list-style-type: none"> <li>Check that the vents are not blocked during operation. A spacing of 100mm around the compressor vents is needed for proper ventilation.</li> <li>Wipe down the compressor vents to improve circulation.</li> <li>Confirm that the ambient temperature is within the recommended operating temperature of the device.</li> <li>If still unresolved, contact your local Anaconda store for assistance.</li> </ol> |
| E6<br>LL<br>HH | Temperature sensor error | Temperature sensor may be damaged or loose                                                                                                                                     | Contact your local Anaconda store for assistance.                                                                                                                                                                                                                                                                                                                                                                                                      |

## Troubleshooting

### The unit is not turning on

- Check whether the unit is powered on at the control panel
- Confirm that the power supply cable is plugged in
- Confirm that the power supply source is on
- Check power cable fuse
- Check device fuse

### Poor refrigeration performance

- Confirm temperature settings
- Confirm adequate spacing between products in refrigerator compartment – if products are too tightly packed, poor air circulation results in slower cooling
- Poor ventilation (allow 100mm around all vents)
- Check lid seals for dust, debris or damage. Clean seals regularly for proper sealing.
- Confirm that ambient temperature is within recommended operating range for device
- Confirm that unit is not placed directly in sunlight or near a heat source
- To increase refrigeration performance, cool products in home refrigerator/freezer before placing in the device

### Why can I hear the sound of liquid flowing inside the unit?

Refrigerant changes from a liquid to a vapor while it passes through the evaporator plates – this change in phase is what results in cooling. Hearing the sound of liquid flowing inside your device means that the unit is working as expected.

### Rattling or unusual noise during operation

- Check that the refrigerator is placed on a level surface
- Internal parts may have come loose – contact your local Anaconda store for assistance

## 7. Technical Data

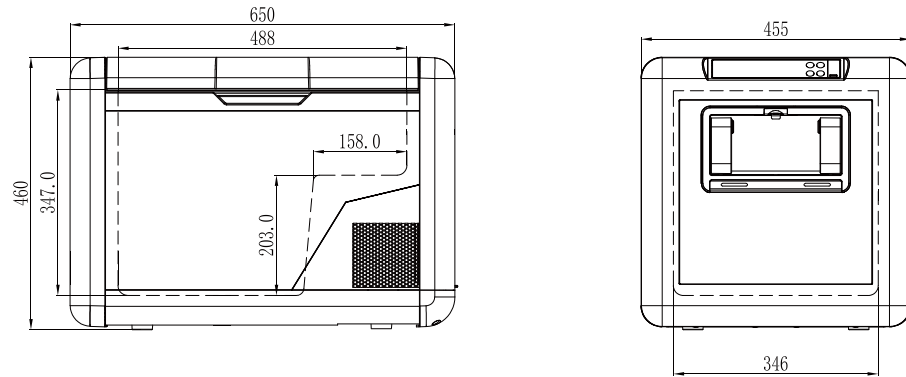
| Model                     | 45L Single Zone                            | 75L Dual Zone                              | 95L Dual Zone                               |
|---------------------------|--------------------------------------------|--------------------------------------------|---------------------------------------------|
| <b>Internal Volume</b>    | 45L                                        | 75L                                        | 95L                                         |
| <b>Dimensions (mm)</b>    | L: 650<br>W: 455<br>H: 460                 | L: 900<br>W: 485<br>H: 460                 | L: 962<br>W: 540<br>H: 460                  |
| <b>Weight (kg)</b>        | 20.5kg                                     | 27.8kg                                     | 30.6kg                                      |
| <b>Input Voltage</b>      | 12/24V DC 220-240V 50/60Hz AC              |                                            |                                             |
| <b>Rated Current</b>      | DC:<br>4.6A@12V<br>2.3A@24V<br>AC:<br>0.3A | DC:<br>4.6A@12V<br>2.3A@24V<br>AC:<br>0.3A | DC:<br>5.5A@12V<br>2.75A@24V<br>AC:<br>0.3A |
| <b>Climate Class</b>      | N, ST, T                                   |                                            |                                             |
| <b>USB</b>                | 5V, 2A                                     | 5V, 2A                                     | 5V, 2A                                      |
| <b>Refrigerant</b>        | R134a                                      |                                            |                                             |
| <b>Refrigerant Charge</b> | 49g                                        | 59g                                        | 74g                                         |
| <b>Cooling Range</b>      | -22°C~10°C                                 |                                            |                                             |

### Note:

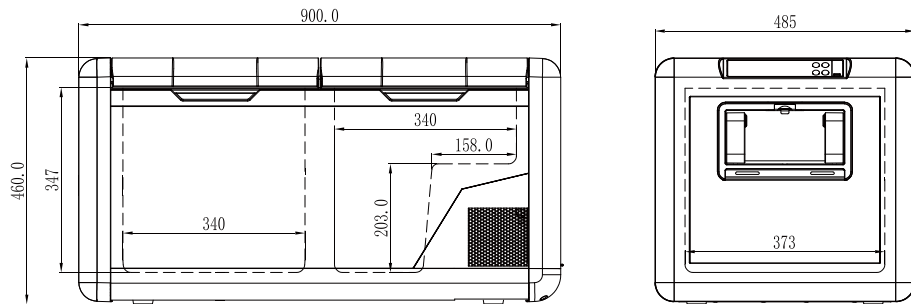
- The cooling compartment has varying temperature zones across compartment depth due to the energy absorbed by the refrigerant as it passes through the evaporator plates. This is unavoidable and a common phenomenon in portable chest fridge freezers. A temperature differential of 3-5°C may be assumed due to this phenomenon.
- The values indicated on the digital display reflect the temperature near the middle of the cabinet.
- The minimum temperature displayed on the control panel cannot be attained for the single zone models if the ambient temperature is greater than 32°C (for dual zone models, this is true for the small compartment set to -22°C and large compartment set to +4 °C).

## 8. Technical Drawings

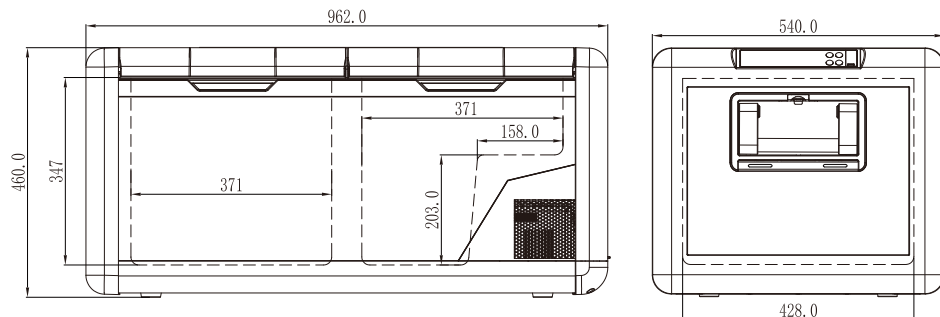
### 45L Single Zone



### 75L Dual Zone



### 95L Dual Zone



## 9. Warranty Statement

THIS PRODUCT IS GUARANTEED TO BE FREE FROM DEFECTS IN WORKMANSHIP AND MATERIALS FOR A PERIOD OF 5 YEARS FROM THE DATE OF PURCHASE. THE PRODUCT WILL BE REPLACED OR REFUNDED FOR A MAJOR FAILURE. THE PRODUCT WILL BE REPAIRED OR REPLACED AT OUR DISCRETION, SHOULD THE PRODUCT FAIL TO BE OF AN ACCEPTABLE QUALITY AND FAILURE IS NOT CONSIDERED A MAJOR FAILURE.

WARRANTY WILL NOT APPLY IF THE PRODUCT (A) IS DAMAGED THROUGH MISUSE (INCLUDING FAILURE TO MAINTAIN), NEGLIGENCE, ACCIDENT OR ORDINARY WEAR AND TEAR (INCLUDING RUST, CORROSION, NORMAL FADING, WEATHERING, STAINING, DISCOLOURATION, SCRATCHING OR CHIPPING); (B) IS DAMAGED THROUGH EXPOSURE TO HEAT; (C) IS USED COMMERCIALY; (D) HAS NOT BEEN USED OR INSTALLED IN ACCORDANCE WITH ANY APPLICABLE INSTRUCTIONS; OR (E) HAS BEEN MODIFIED, REPAIRED OR TAMPERED WITH BY THE PURCHASER OR AN UNAUTHORISED SERVICE PERSON.

OUR GOODS COME WITH GUARANTEES THAT CANNOT BE EXCLUDED UNDER THE AUSTRALIAN CONSUMER LAW. YOU ARE ENTITLED TO A REPLACEMENT OF REFUND FOR A MAJOR FAILURE AND FOR COMPENSATION FOR ANY OTHER REASONABLY FORESEEABLE LOSS OR DAMAGE. YOU ARE ALSO ENTITLED TO HAVE THE GOODS REPAIRED OR REPLACED IF THE GOODS FAIL TO BE OF AN ACCEPTABLE QUALITY AND THE FAILURE DOES NOT AMOUNT TO A MAJOR FAILURE.

TO CLAIM UNDER THIS WARRANTY, PLEASE TAKE THIS PRODUCT TO THE ANACONDA WHERE YOU PURCHASED IT. YOU WILL NEED YOUR RECEIPT OR OTHER PROOF OF PURCHASE. ADDITIONAL INFORMATION MAY BE REQUESTED OF YOU TO PROCESS YOUR CLAIM. SHOULD YOU NOT BE ABLE TO PROVIDE PROOF OF PURCHASE WITH A RECEIPT; A BANK OR CREDIT STATEMENT, AND IDENTIFICATION SHOWING YOUR NAME, ADDRESS AND SIGNATURE MAY BE REQUIRED TO PROCESS YOUR CLAIM. ANY EXPENSE RELATING TO THE RETURN OF THE PRODUCT TO THE STORE WILL BE AT THE EXPENSE OF THE CUSTOMER. FOR ONLINE PURCHASES, PLEASE CONTACT US TO ARRANGE WHERE AND HOW TO RETURN THE PRODUCT.

TO OBTAIN COMPENSATION, YOU WILL NEED TO PROVIDE DOCUMENTARY EVIDENCE OF THE LOSS OR DAMAGES SUFFERED, AND DOCUMENTARY EVIDENCE THAT SUCH LOSS OR DAMAGE WAS REASONABLY FORESEEABLE CONSEQUENCE OF A FAILURE. SUCH EVIDENCE MAY INCLUDE PHOTOGRAPHS, STATUTORY DECLARATIONS, RECEIPTS, REPORTS (EG. FROM YOUR DOCTOR), DEPENDING ON THE LOSS OR DAMAGE.

THE BENEFITS GIVEN BY THIS WARRANTY ARE IN ADDITION TO OTHER RIGHTS AND REMEDIES UNDER THE AUSTRALIAN CONSUMER LAW IN RELATION TO THE GOODS AND SERVICES TO WHICH THIS WARRANTY RELATES. WARRANTY EXCLUDES CONSUMABLE REPLACEMENT/ SERVICEABLE PARTS (WHERE APPLICABLE TO THE PRODUCT) AS DETAILED IN THE PRODUCT INSTRUCTION MANUAL OR PACKAGING WHICH ARE AVAILABLE FOR PURCHASE.

THIS WARRANTY IS PROVIDED BY:  
 ANACONDA GROUP PTY LTD (ABN 53 955 173 782)  
 LEVEL 6, 111 CECIL STREET, SOUTH MELBOURNE, VIC, 3205  
 WWW.ANACONDASTORES.COM  
 PH: 1300 558 990

DESIGNED & IMPORTED BY:  
 ANACONDA GROUP PTY LTD (ABN 53 955 173 782)  
 LEVEL 6, 111 CECIL STREET, SOUTH MELBOURNE, VIC, 3205  
 MADE IN CHINA

**DUNE**<sup>4WD</sup>  
4+4